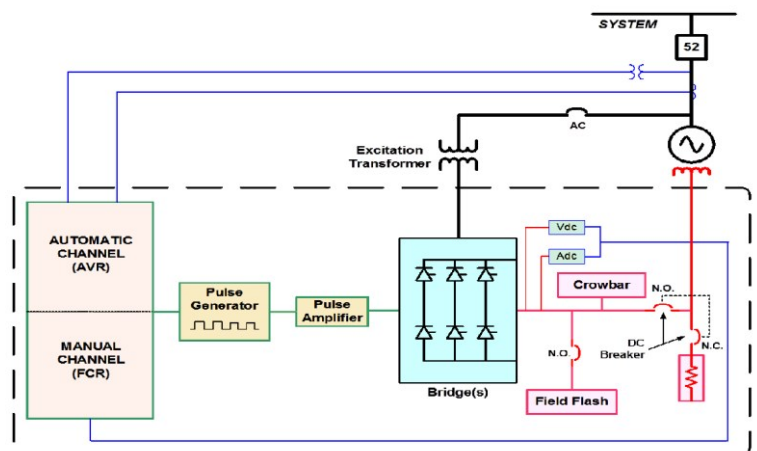


## MANAGERIAL COURSES AT CORPORATE HEADQUARTERS IN MIAMI

As part of the corporate philosophy SEPAC CORP is constantly in search for providing support to its customers through the spread of state of the art technologies and the gathering of best resources to offer up-to-date information. For this reason, SEPAC is offering technical sessions (courses) at its facility in Miami, to provide corporate training at the managerial levels on the new applications, developments and features of the excitation systems in general and the brand of SEPAC specifically.



The duration of such technical sessions is three days of eight hours per day, taught by engineer's specialists in excitation system. The program is developed by theoretical presentations with learning resources and focuses specifically on middle management of companies. Therefore intends to publicize the benefits of the models of equipment and technological innovations that will bring operational efficiencies and economic improvements in the management of its generating units and interconnected systems where they are connected.



**November 2014**

**MYFPRO S.A. DE C.V.**  
Fundidores 2 Bis Ind. Xhala  
Cuautitlán Izcalli Edo. Méx.  
Tel: (55) 5870 7555

**SERPRO S.A. DE C.V.**  
Fundidores No. 4, Fraccionamiento Industrial Xhala,  
Cuautitlán Izcalli, Estado de México, C.P. 54750 MÉXICO  
Tel: (55) 5870 7555 Fax: (55) 5872 4065

**SEPAC CORP.**  
Miami, Florida EUA  
Tel: (305) 718 3369  
Fax: (305) 718 3369